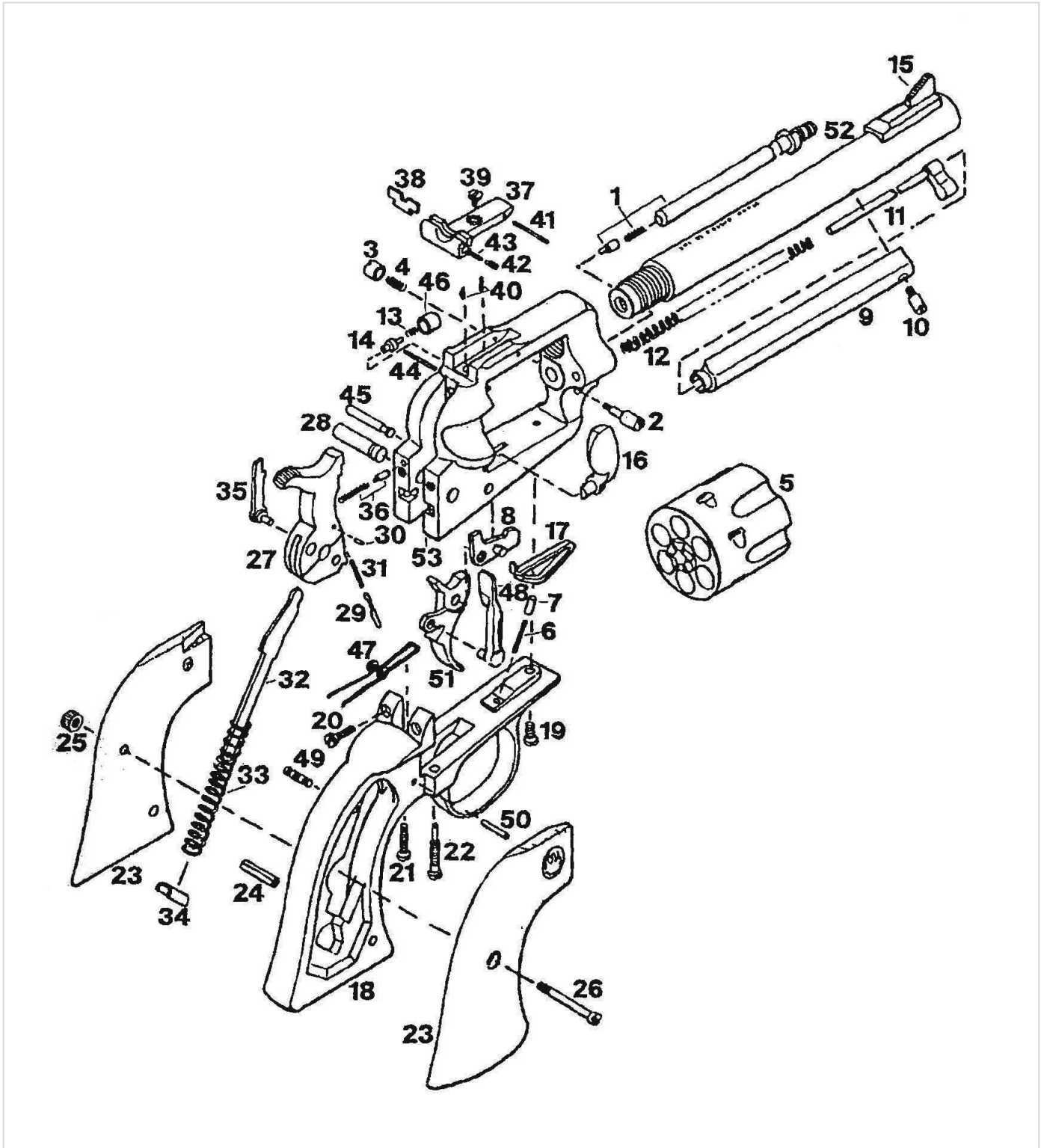


RUGER NEW MODEL BLACKHAWK and SUPER BLACKHAWK SCHEMATIC



Note: The "Schematics" provided on this site are to be used as a general reference to assist you in identifying parts and may not be an illustration of your EXACT model.

KEY

- | | | | | | |
|----|-------------------------------|----|-------------------------------|----|------------------------------------|
| 1 | Base Pin Assembly | 21 | Grip Frame Screw, Bottom | 40 | Rear Sight Elevation Spring |
| 2 | Base Pin Latch | 22 | Grip Frame Screw & Pivot Lock | 41 | Rear Sight Pivot Pin |
| 3 | Base Pin Latch Nut | 23 | Grip Panels | 42 | Rear Sight Windage Adjusting Screw |
| 4 | Base Pin Latch Spring | 24 | Grip Panel Dowel | 43 | Rear Sight Windage Spring |
| 5 | Cylinder | 25 | Grip Panel Ferrule | 44 | Recoil Plate Cross Pin |
| 6 | Cylinder Latch Spring | 26 | Grip Panel Screw | 45 | Trigger Pivot |
| 7 | Cylinder Latch Spring Plunger | 27 | Hammer Assembly | 46 | Recoil Plate |
| 8 | Cylinder Latch | 28 | Hammer Pivot | 47 | Trigger Spring |
| 9 | Ejector Housing | 29 | Hammer Plunger | 48 | Transfer Bar |
| 10 | Ejector Housing Screw | 30 | Hammer Plunger Pin | 49 | Trigger Spring Retaining Pin |
| 11 | Ejector Rod Assembly | 31 | Hammer Plunger Spring | 50 | Trigger Spring Pin |
| 12 | Ejector Rod Spring | 32 | Hammer Strut | 51 | Trigger |
| 13 | Firing Pin Rebound Spring | 33 | Mainspring | 52 | Barrel |
| 14 | Firing Pin | 34 | Mainspring Seat | 53 | Frame |
| 15 | Front Sight | 35 | Pawl | | |
| 16 | Gate | 36 | Pawl Spring & Plunger | | |
| 17 | Gate Detent Spring | 37 | Rear Sight Assembly, Complete | | |
| 18 | Grip Frame | 38 | Rear Sight Blade | | |
| 19 | Grip Frame Screw, Front | 39 | Rear Sight Elevation Screw | | |
| 20 | Grip Frame Screw, Back | | | | |

Parts Not Shown

- Front Sight Blade
- Front Sight Blade Cross Pin
- Rear Sight Detent Ball